



THE GATE CLOSER  
SPECIALISTS

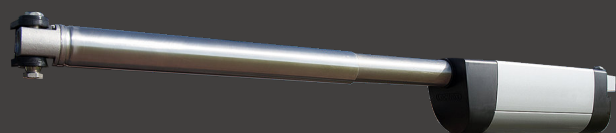
## Samson-2 Pedestrian gate closer

A Samson-2 pedestrian gate closer has three adjustment settings, closing speed, latching speed and strength; which gives you the possibility to satisfy a wide range of safety and security requirements with your install.

In each kit there is a selection of brackets which enable installation to gates with both in-line or offset hinge arrangements and Quick-Fix threaded inserts to make your install as easy as possible when mounting to box section posts and gates.

Each Samson-2 is made from stainless steel, powder coated aluminium and industrial polymers to give your customer an all-weather pedestrian gate closer.

The selection of brackets supplied with each gate closer, and the linear action provided by the Samson-2, creates a powerful closing force. This provides you with a gate closer more suitable for wider and heavier gates than most rotary action gate closers.



### Key features:

Suitable for 0.8 to 2.0 m wide gates

Max. gate weight 150 kg

Max. open angle 150° (depends on arrangement)

Min. post / frame - 60 mm / 40 mm

3 adjustments (closing & latching speeds + strength)

Anti-theft fasteners

High corrosion resistance

Unaffected by temperature change

Life tested up to 500,000 cycles

100% mechanical

Samson-2 pedestrian gate closer

Please view the next page to see Samson-2 dimensions and hinge arrangements.

① **Package content**

1	Quick-Fix
2	In-line 90° post bracket
3	Offset 180° & butt hinge post bracket
4	Fixing bolts
5	In-line 90° tail bracket
6	Offset 180° & butt hinge tail bracket
7	Tail bracket bolts
8	Samson-2 gate closer
9	Plastic filler plugs
10	Gate bracket
11	Allen Keys (3 and 5 mm)

### Offset 180° Hinge

② **Hinge Arrangement**

③ **Accessories**

④ **Profile and gate preparation**

⚠ **Min. distance to respect from post to wall**

WALL/MUR/MAUER

⑤ **Mounting the brackets**

### In-line 90° Hinge

② **Hinge Arrangement**

③ **Accessories**

④ **Profile and gate preparation**

⚠ **Min. distance to respect from post to wall**

WALL/MUR/MAUER

	A	B
0 ↔	75 mm	40 mm
0 ↔	3"	1-9/16"
0 ↔	60 mm	50 mm
0 ↔	2-3/8"	2"
0 ↔	50 mm	60 mm
0 ↔	2"	2-3/8"

⑤ **Mounting the brackets**

### Butt Hinge

② **Hinge Arrangement**

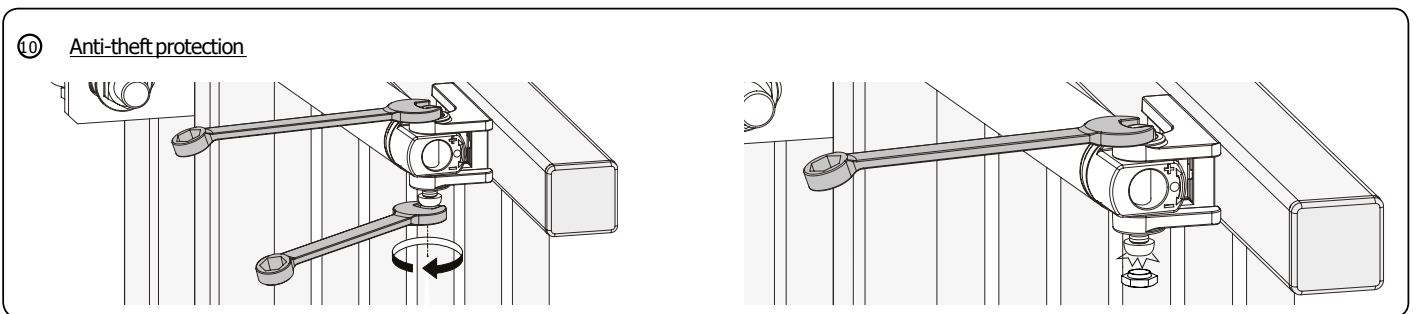
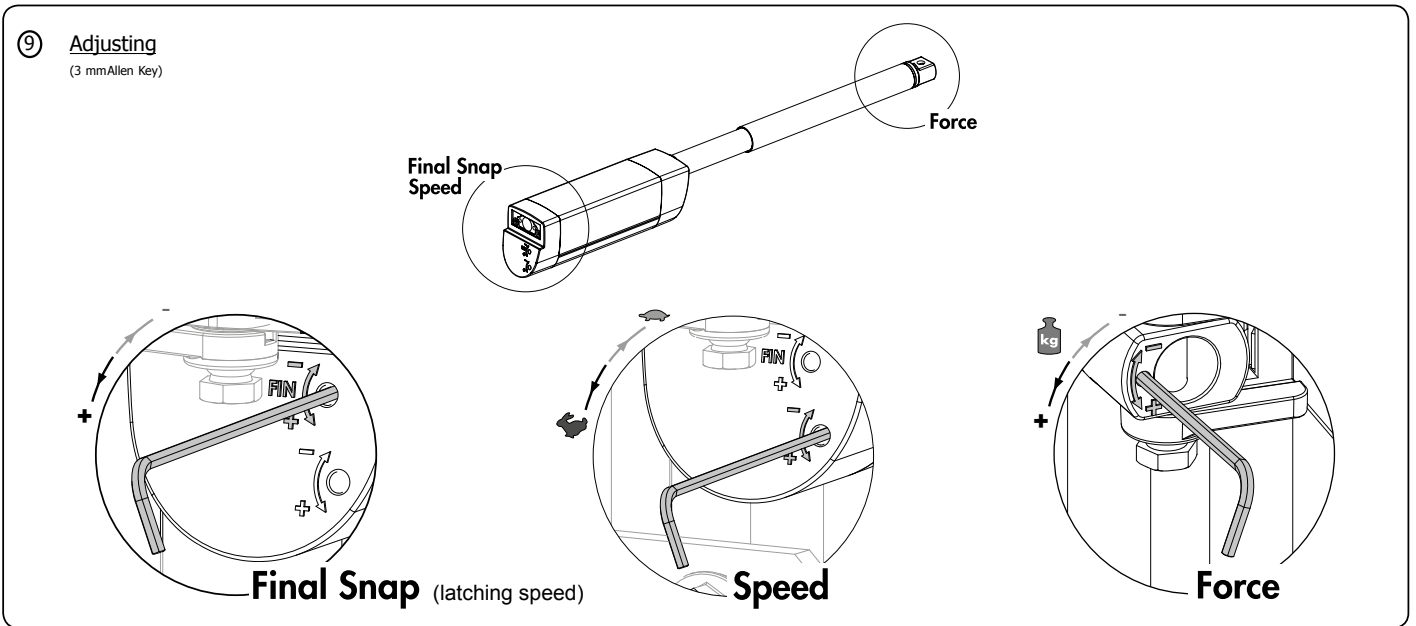
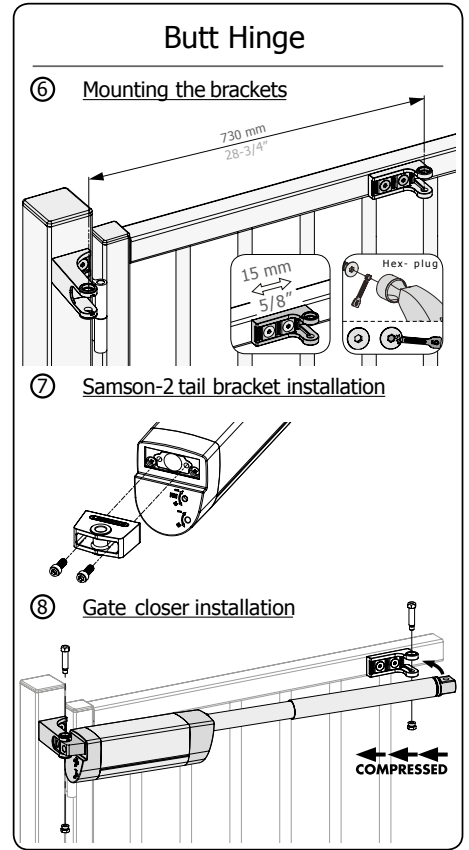
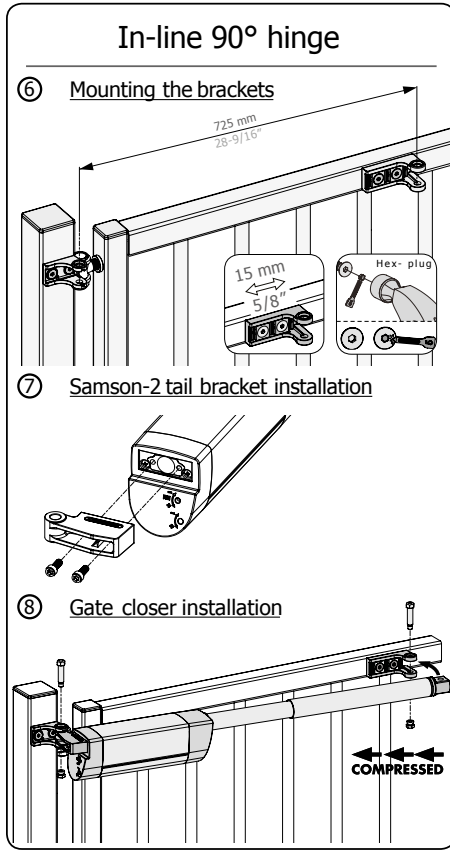
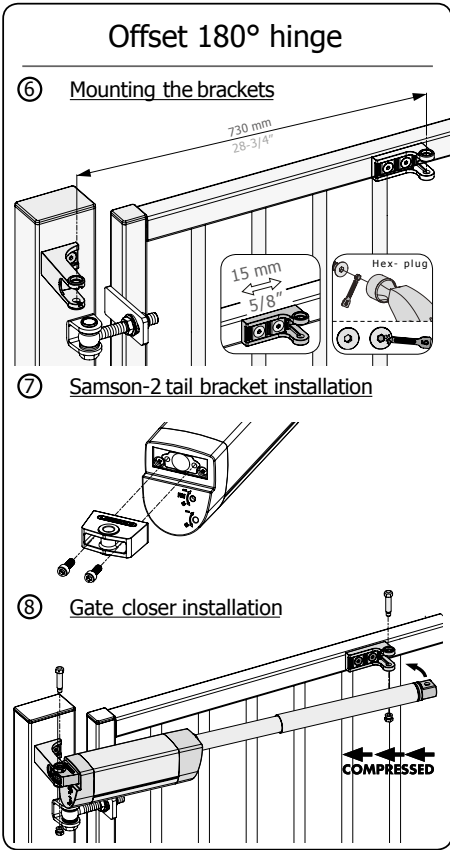
③ **Accessories**

④ **Profile and gate preparation**

⚠ **Min. distance to respect from post to wall**

WALL/MUR/MAUER

⑤ **Mounting the brackets**



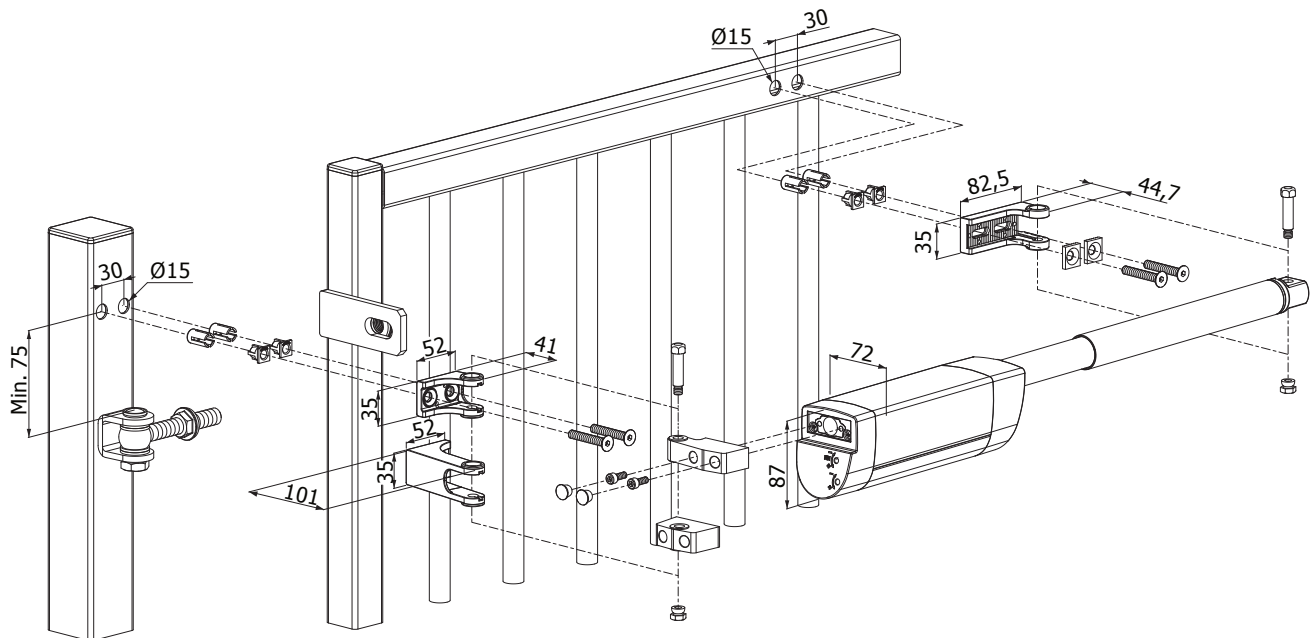
Gate Control Gear Ltd 17 Rochester Trade Park Maidstone Road Rochester ME1 3QY United Kingdom  
 T +44 (0)1634 819651 E solutions@gatecontrolgear.com W www.gatecontrolgear.com



## Installation essentials

Here are a few essentials that will ensure your installation is successful.

- Make sure hinges are freely moving and lubricated
- Test the gate swing to find out if the gate drops and repair if necessary
- Make sure post and gate are vertically and horizontally aligned
- Post and gate bracket must be horizontally aligned
- Fit one gate stop (normally the lock performs this function) to restrict the swing of the gate from passing through the post line when the gate closes



## Buying your gate closer

Product Code	Description
SAMSON-2	Samson-2 Pedestrian Gate Closer in silver

From time to time, you will have to install a closer to a gate where the hinge arrangement is neither in-line or offset. Or, you may find the minimums and maximums shown in the selection table are not achievable.

For any of the above situations, or if you need clarification about something, please call +44 (0)1634 819651 or send an email to [solutions@gatecontrolgear.com](mailto:solutions@gatecontrolgear.com). We will be pleased provide you with the help you need.